

Drafting II - Project 3 – Detail drafting

For this project you are going to construct a detail drawing. A detail drawing is an explicit drawing showing how complicated scenery is constructed or assembled. One common yet complicated scenic element on theatrical productions is the various moldings that cover the walls. Examples being base boards, chair rails, pictures and the most elaborate being crown molding.

Crown molding is built up of pieces to make an impressive and visually interesting architectural element.

As designers we must specify what we want this molding to look like and how it can be constructed.

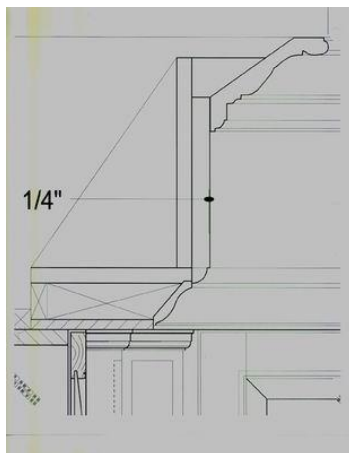
Your job is to design an elaborate crown molding from the available profiles found at Home Depot.

Here is a link to all that is available.

<https://www.homedepot.com/b/Building-Materials-Moulding-Millwork-Moulding-Crown-Moulding/N-5yc1vZcbji>

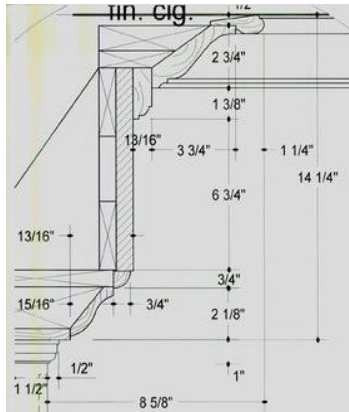
Start by researching a crown molding configuration that you find interesting; this will be the base from which you will design from.

From your research, start drawing profiles of the pieces that are needed to fulfill the design. Remember you can import pictures into Vectorworks to trace. Do please pay attention to scale! In some cases, you will be including plain boards as part of the design, like in the below example.



Make note of the name of each molding piece you use, we will be generating a list as part of this project.

With your molding profile created, you will now add dimensioning, these are measurements for shops to build from, please place dimensions on a separate layer named "Dims", this allows us to turn the measurements visibility on or off.



Use the same Arch B page you have been using in class and adjust the scale appropriately for this project. Title this project "Detail Drawing"

This project is due by the end of the day December 13th emailed to brandon.lettow@fscj.edu.